



Side screen

markilux 790

Ideal, lateral protection against low-lying sun, light wind and inquisitive glances.

01 Product properties

02

03

04

05

06

07

08

09

10

11

12

13

14

15

16

17



● face fixture bracket for the front profile with angle for lateral fixture ¹⁾



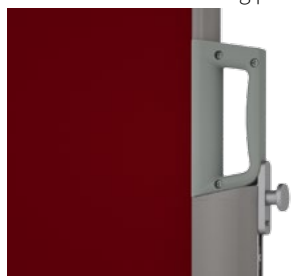
● 1 docking post with welded-on base plate



● sleeve assembly for insertion in the ground



● 2 safety mechanism for the handle fitted to the docking post



● mobilfix: docking post fitted to a granite baseplate ¹⁾



● docking bracket for front profile fitted to a railing



● docking bracket for front profile fitted to a free-standing post or markilux pergola



● detail at the top: pivoting option to fit the cassette to a free-standing pergola post ¹⁾



● detail at the bottom: pivoting option to fit the cassette to a free-standing pergola post ¹⁾



1) optional configuration

Product properties

Description

- the discretely shaped side screen giving allround protection to the cover thanks to the satisfactory, square cassette.

Special features

- the height of the grip on the front profile can be adjusted to the exact conditions on site – so that the front profile can be locked in position and the cover tension adjusted without a problem
- the pre-set tension in the spring mechanism can be adjusted on site to comply with the wishes of the customer
- The screen cover can be cut diagonally to order, in which case the front profile will be correspondingly shorter – giving perfect protection in combination with a markilux folding-arm awning or pergola
- intermediate screen heights and a good choice of fixture options are available – to make them employable on a patio, a balcony or even free standing
- docking post for the front profile with integrated safety lock for the grip to prevent it being released inadvertently

Dimensions

- awning in the standard version 173 cm / 213 cm / 250 cm in height
- extension: 200–450 cm (depending on the screen height and fabric pattern)
- intermediate sizes are available

Roller tube and lateral bearings

- round roller tube Ø 63 mm with keyway, galvanised steel, with integrated, maintenance-free spring mechanism providing optimum cover tension
- the roller tube bearing is made of machine finished, rolled aluminium

Awning profiles

- Extruded aluminium, in façade quality, powder coated
- cassette profile in one piece, 95 mm × 95 mm
- circular front profile Ø 32 mm

Side caps

- end caps are made of high-quality plastic, dyed through or powder coated – at the spring end they are aluminium, powder coated
- the front profile end caps are made of high-quality plastic, dyed through in grey

Fixture brackets

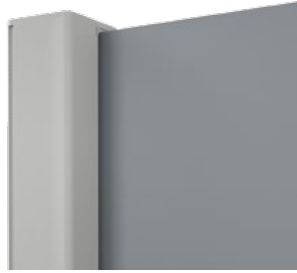
- cassette brackets for face or reveal fixture, fixture to a post (free standing or to the post of the markilux pergola / markilux syncra)
- brackets for the front profile: face fixture, docking post with ground sleeve / base plate for bolting down, mobilfix (mobile docking post on a base plate), brackets for fixture to a (balcony) railing
- grip for front profile made of high-quality plastic, dyed through in grey
- adapter sets for fixture to Krinner screw-in foundations

01 **Frame colours**02 **markilux awning colours without surcharge**

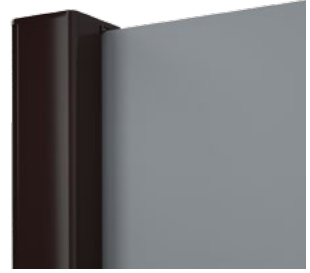
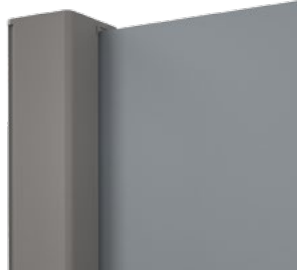
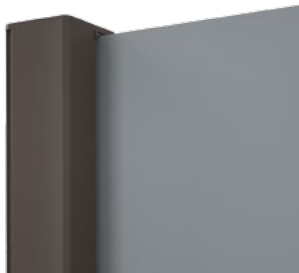
03 traffic white RAL 9016



04 metallic aluminium RAL 9006



05 grey brown, similar to RAL 8019

06 off-white textured finish, 5233 ¹⁾07 stone grey metallic, 5215 ¹⁾08 anthracite metallic, 5204 ¹⁾09 Havana brown textured finish, 5229 ¹⁾

16

17

Non-standard powder-coated finish

Bespoke frame colours at a surcharge – matt, metallic and pearl finishes as well as other colour ranges (DB, Tiger etc.) on request. All frame colours are available at a surcharge with enhanced corrosion protection.

1) textured finish

Colours may differ slightly from those depicted in both hue and finish.

Dimensions and configuration options

Single unit

		Extension				
		250	300	350	400	450 ¹⁾
Order dimensions		200	251	301	351	401
		250	300	350	400	450
GH	173	2)	3)	4)	4)	5)
	213					—
	250					—

dimensions in cm

1) = angled top edge not possible

2) = minimum height 90 cm

3) = minimum height 110 cm

4) = minimum height 125 cm

5) = minimum height 130 cm

GH = overall height (cassette height + 30 mm)
intermediate sizes are available at surcharge

= cover height approx. 162 cm

= cover height approx. 202 cm

= cover height approx. 239 cm

Operation

	standard	optional
manual extension	✓	—
cover exit to the right	✓	—
cover exit to the left	—	✓

Awning cover	fabric range no.	standard	optional	overall height	extension	tailored cloth
sunvas	301.. / 309..-315..	✓	—			SN
sunsilk	324.. / 325.. / 328.. / 369..	✓	—			SN
transolair	338..	—	✓		≤ 240	N
					> 241	SN
vuscreen Alu	317..	—	✓	≤ 213	≤ 240	N
				≤ 213	≥ 241 ≤ 300	SN
perfotox	331.. / 332..	—	—			
perla	370..	—	—			
perla FR	374.. / 375..	—	—			
Soltis Perform 92	92-20..	—	—			

dimensions in cm

N = Seamless

SN = vertical seam, panel width 120 cm

01
02
03
04
05
06
07
08
09
10
11
12
13
14
15
16
17

Fixture brackets

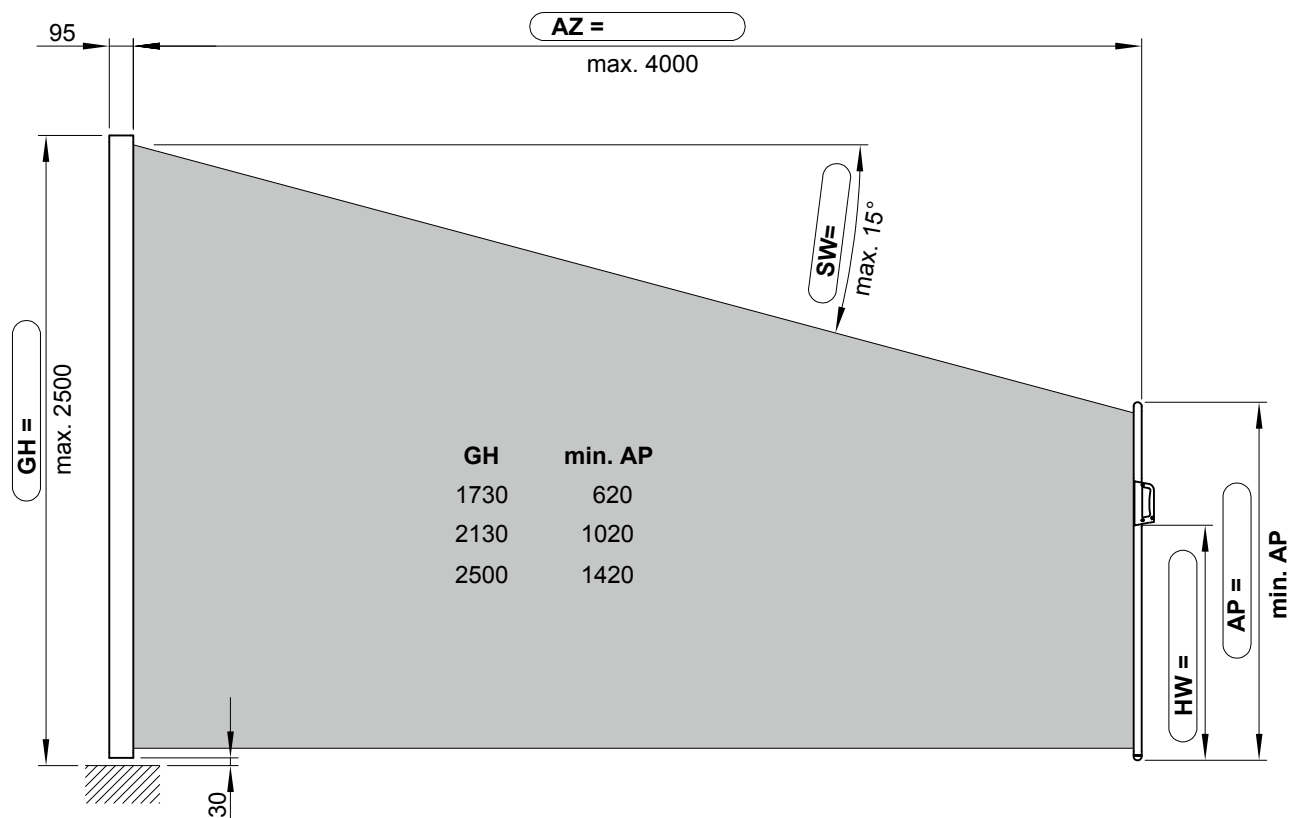
face fixture bracket 50 mm	75758.
wall docking option	77822.
docking bracket for front profile with clamp for fixture to a railing Ø 40–45 mm	77984.
docking bracket for front profile with clamp for fixture to a railing Ø 45–50 mm	77985.
docking post with welded footplate 950 mm	77820.
docking post with ground sleeve 950 mm	77821.

Fixture brackets

cassette bracket for reveal fixture 50 mm	77845.
angled bracket for lateral face fixture 175 × 60 × 60 mm	77987.
free-standing post 1730 mm–1830 mm Ø 70 mm with footplate for cassette fixture	71175.
brackets for fixture of the cassette to the markilux pergola	71174.
bracket for fixture of the front profile to a post Ø 70 mm	71136.
brackets for fixture of the cassette to a square post of the markilux syncra	72231.
brackets for fixture of the cassette to a round post of the markilux syncra	72208.
<hr/>	
mobifix granite including docking post	778211
mobifix concrete including docking post	76838.
<hr/>	
adapter set for post fixture to a Krinner screw-in foundation ¹⁾	
adapter set for front profile fixture to a Krinner screw-in foundation ¹⁾	

Dimension overview, cover with diagonally cut top edge

Please give the dimensions indicated when ordering

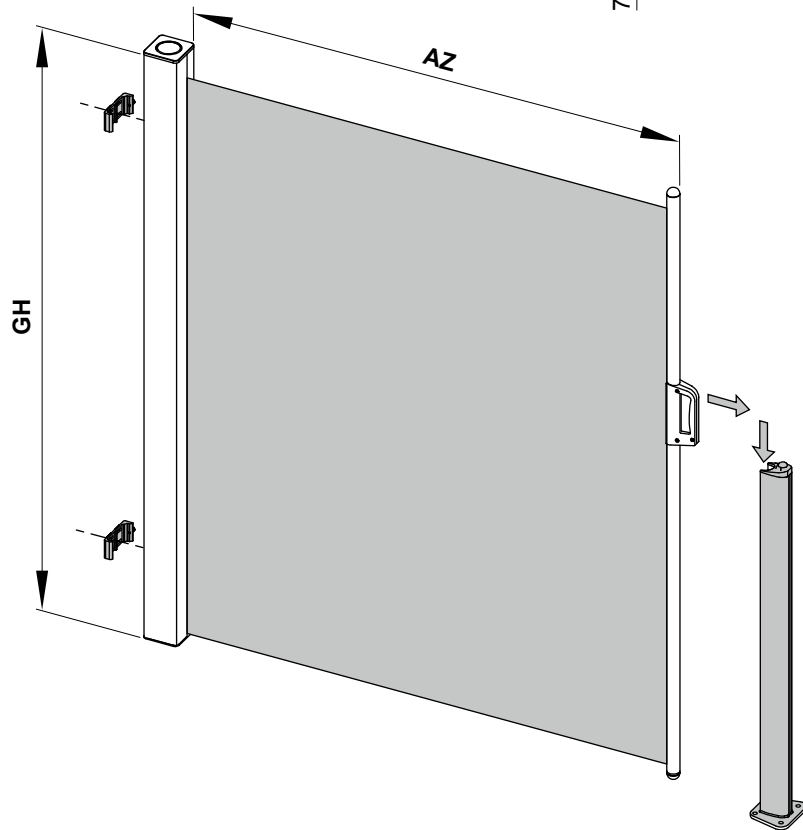
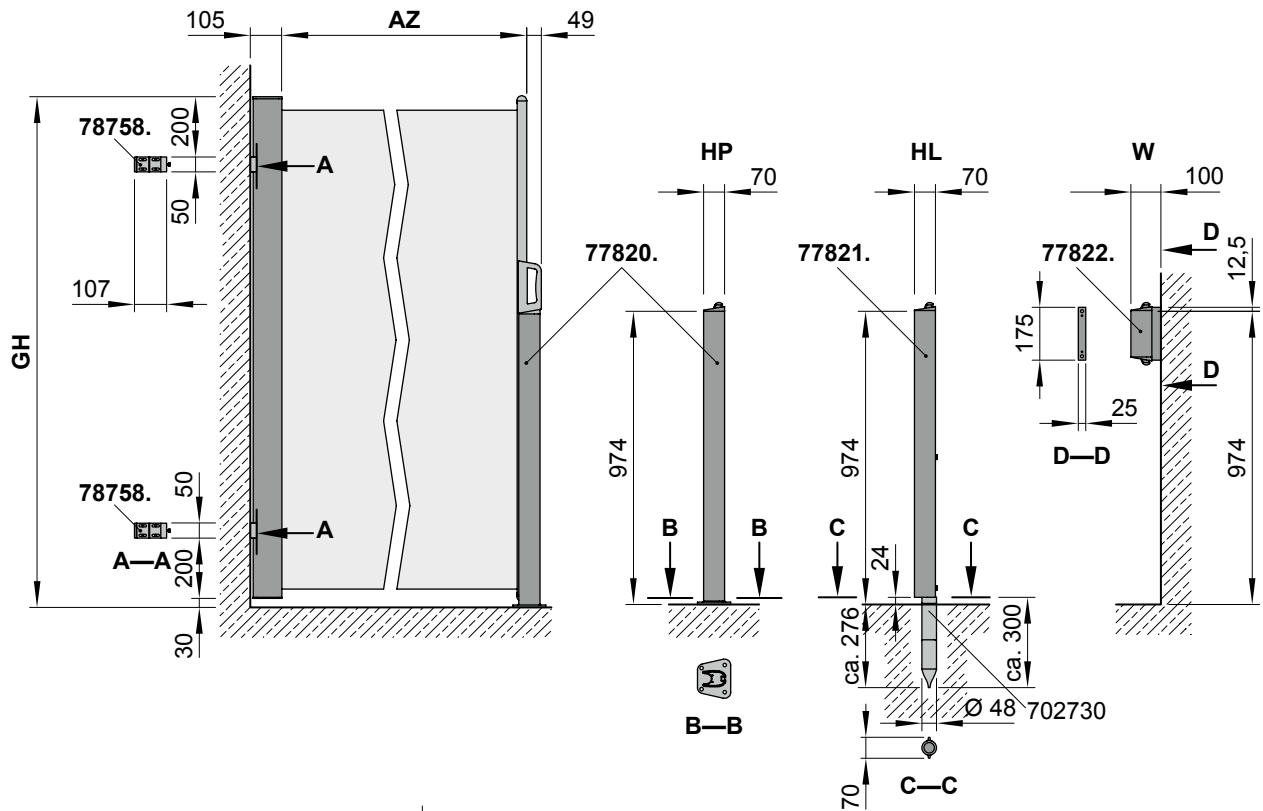


- 1) = for a detailed description see the separate markilux sales documentation “Krinner – the screw-in foundation”
- AP = height of the front profile
- AZ = order measurement = extension
- GH = order measurement = overall height side screen
- HW = height of the wall docking bracket
- SW = angle of the top edge of the cover

dimensions in mm

Dimension overview, standard cover

Docking post with welded bottom plate, ground sleeve or face fixture bracket



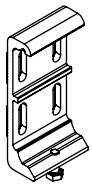
- AZ = order measurement = extension
- GH = order measurement = overall height side screen
- HL = sleeve assembly for insertion in the ground
- HP = docking post for fixture to solid surface
- W = face fixture

dimensions in mm

01
02
03
04
05
06
07
08
09
10
11
12
13
14
15
16
17

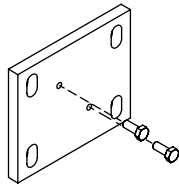
Face fixture, face fixture bracket for the cassette

Fixtures, fittings and accessories



Face fixture bracket
50 mm

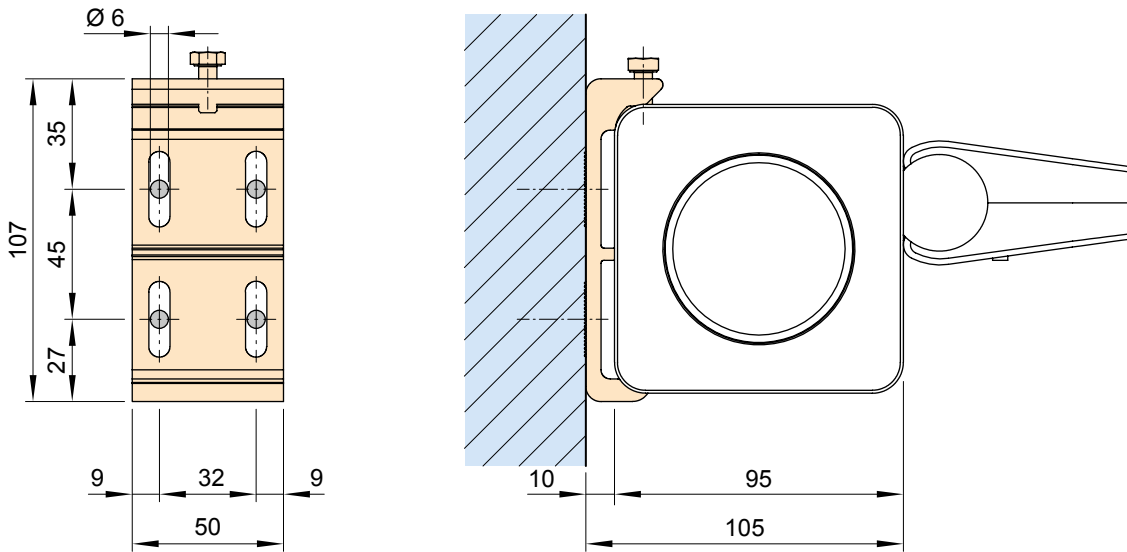
78758.



spreader plate
120 × 10 × 10 mm

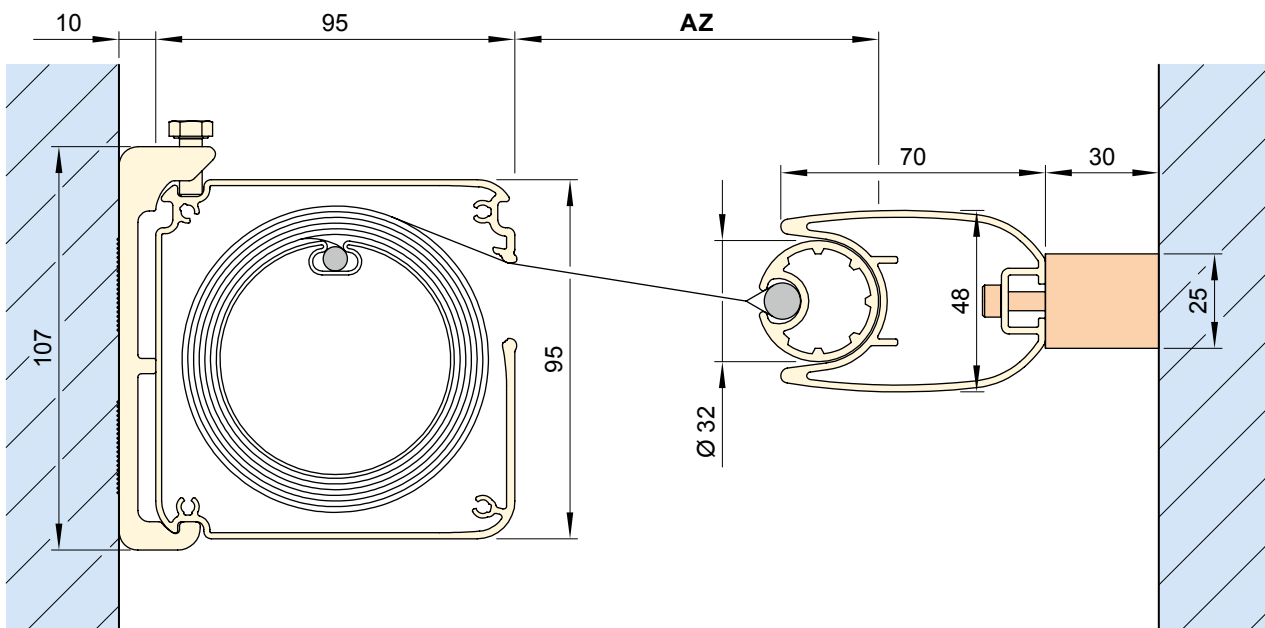
78982.

Cover exit to the right standard (see figure) – cover exit to the left optional



16

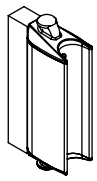
Cross section view with face fixture bracket for the front profile



dimensions in mm

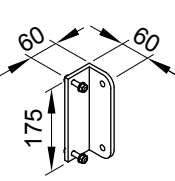
Face fixture, face fixture bracket for the front profile

Fixtures, fittings and accessories



Face fixture bracket for the front profile

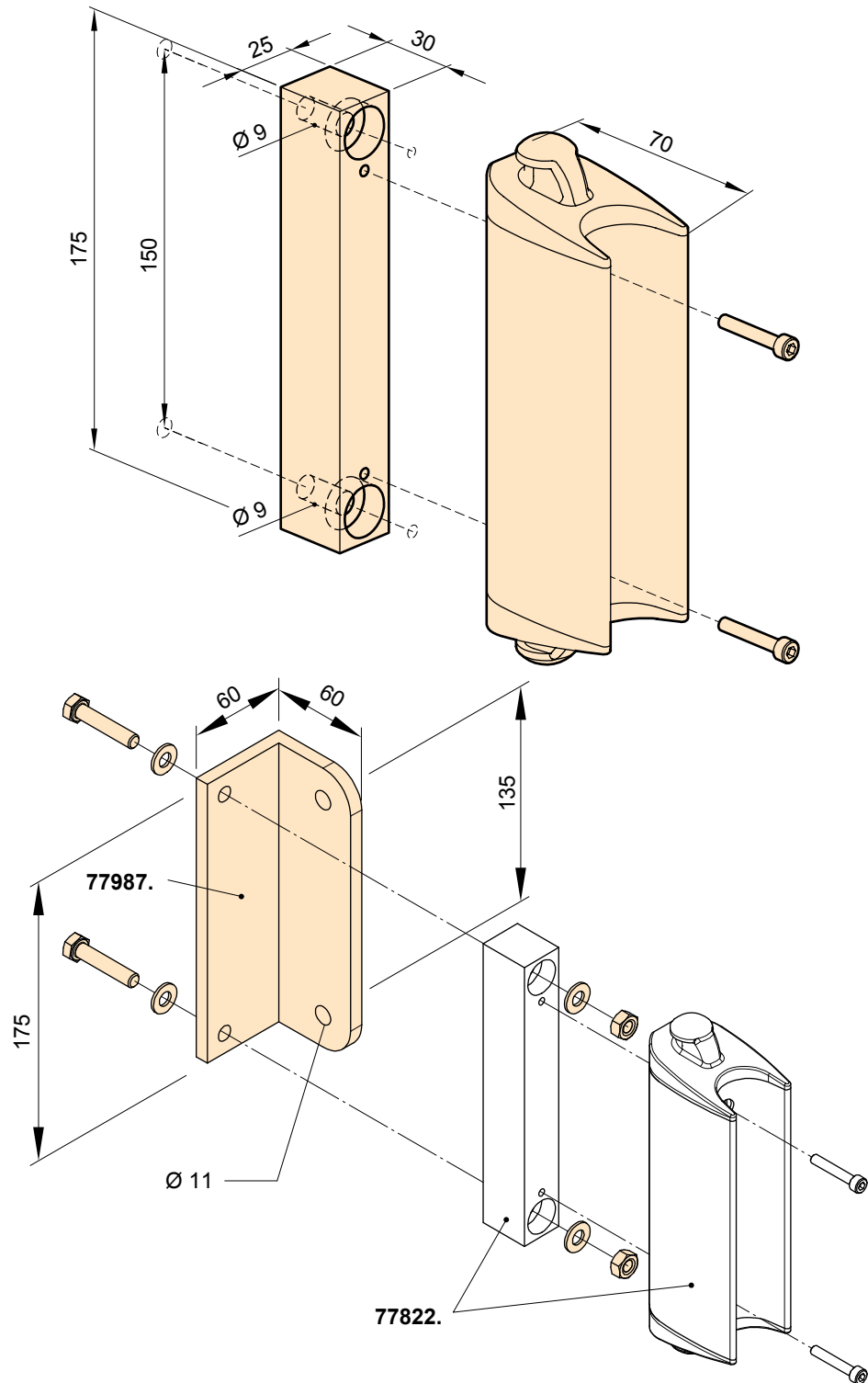
77822.



face fixture bracket assembly for the front profile 77822.

175 × 60 × 60 mm

77987.



dimensions in mm

- 01
- 02
- 03
- 04
- 05
- 06
- 07
- 08
- 09
- 10
- 11
- 12
- 13
- 14
- 15
- 16**
- 17

01 **Docking post for front profile**

02 Fixtures, fittings and accessories



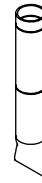
docking post assembly
for the front profile with
welded base plate

77820.



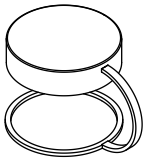
docking post assembly
(for the front profile)
for the ground sleeve

77821.



ground sleeve

702730

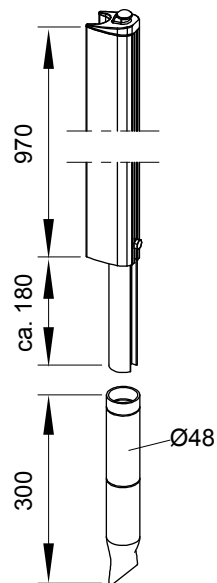
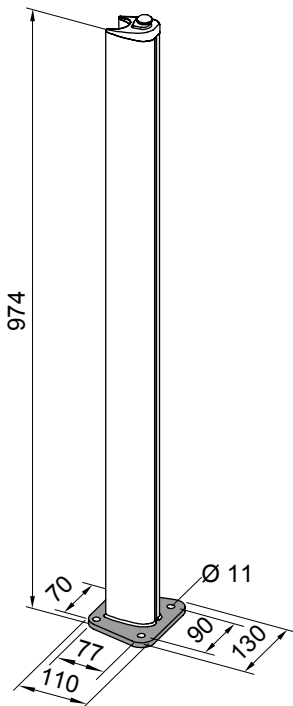


covering cap
for ground sleeve

702851

09
10
11 With a footplate for fixture to a solid surface (77820.)

With connecting profile and ground sleeve (77821.)



dimensions in mm

mobilfix

Fixtures, fittings and accessories



mobilfix:
docking post mounted on
a granite base plate 1)
approx. 40 kg

77821. | 778941. | 778931.



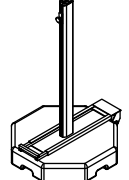
Additional granite
slab for the mobilfix
(recommended in light
wind) approx. 39 kg

779311



acrylic glass tube as
protection for the
docking post when
using the additional
granite slab

779321

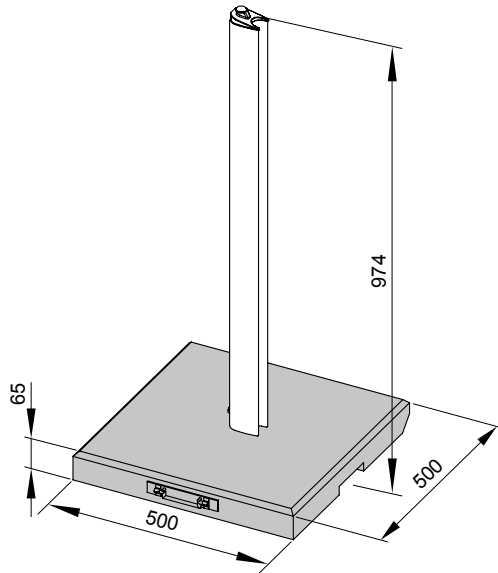


mobilfix 2:
docking post mounted
on a concrete base plate
approx. 55 kg

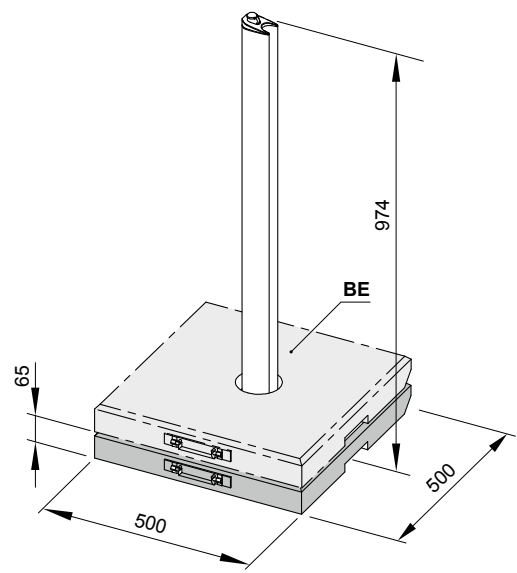
76838.

Granite is a natural stone and can vary in colour and structure.

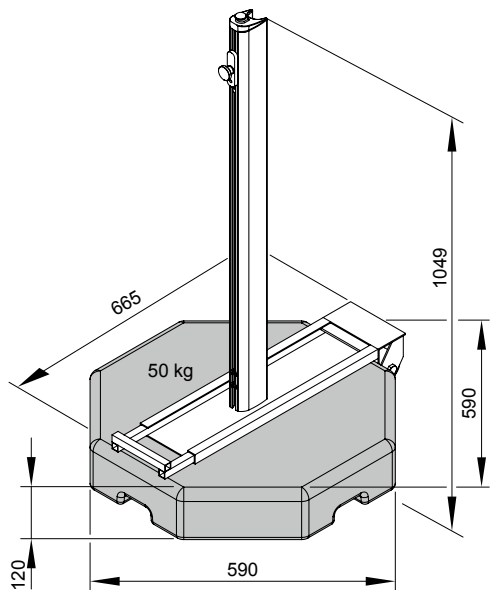
mobilfix



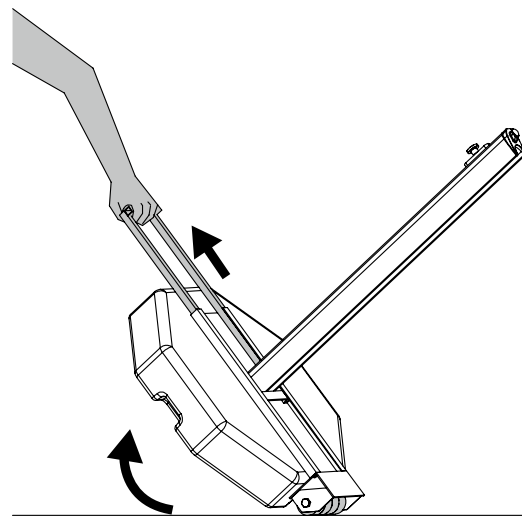
mobilefix with additional granite slab to weigh it down



mobilfix 2



transport function mobilfix 2



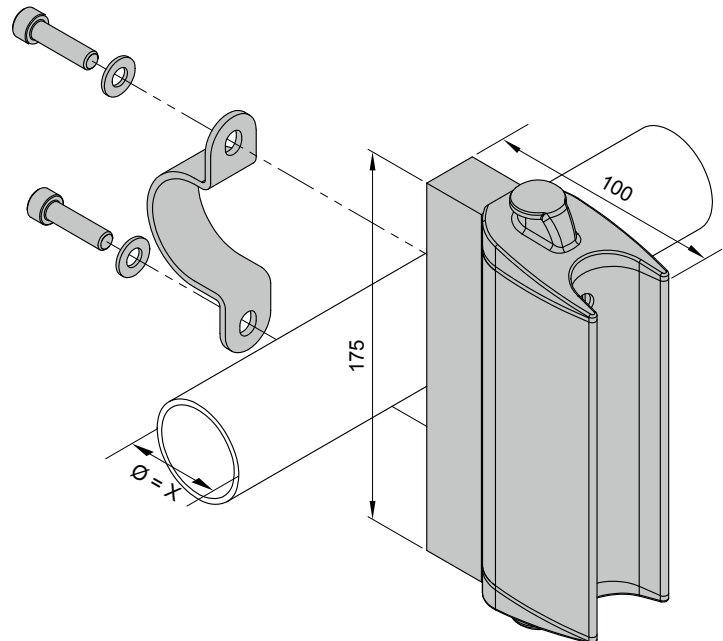
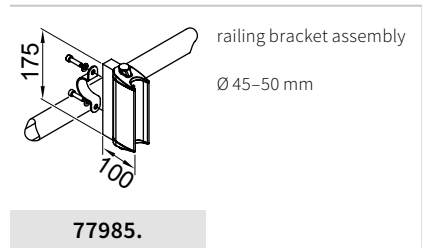
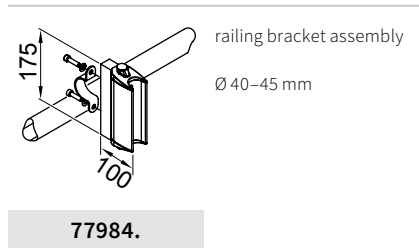
BE = additional granite slab to weigh it down (optional)

dimensions in mm

01
02
03
04
05
06
07
08
09
10
11
12
13
14
15
16
17

01 **Railing bracket assembly for front profile**

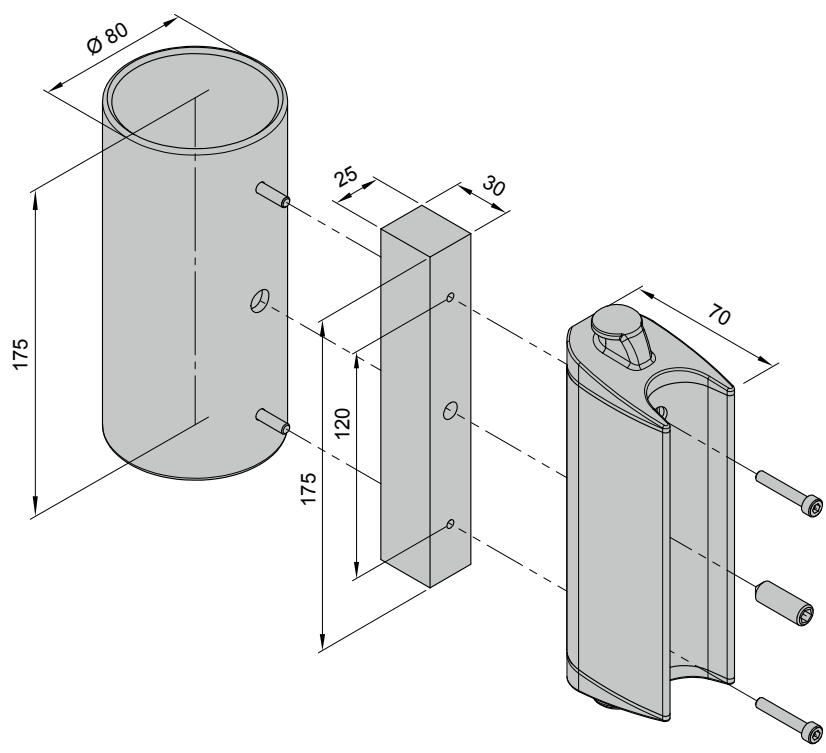
02 Fixtures, fittings and accessories



- 13 X = 40-45 mm: 77984.
14 X = 45-50 mm: 77985.

15 **Front profile fixture to a post**



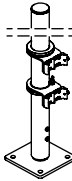
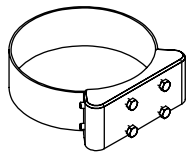
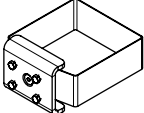
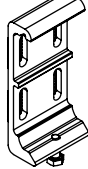
16 Fixtures, fittings and accessories

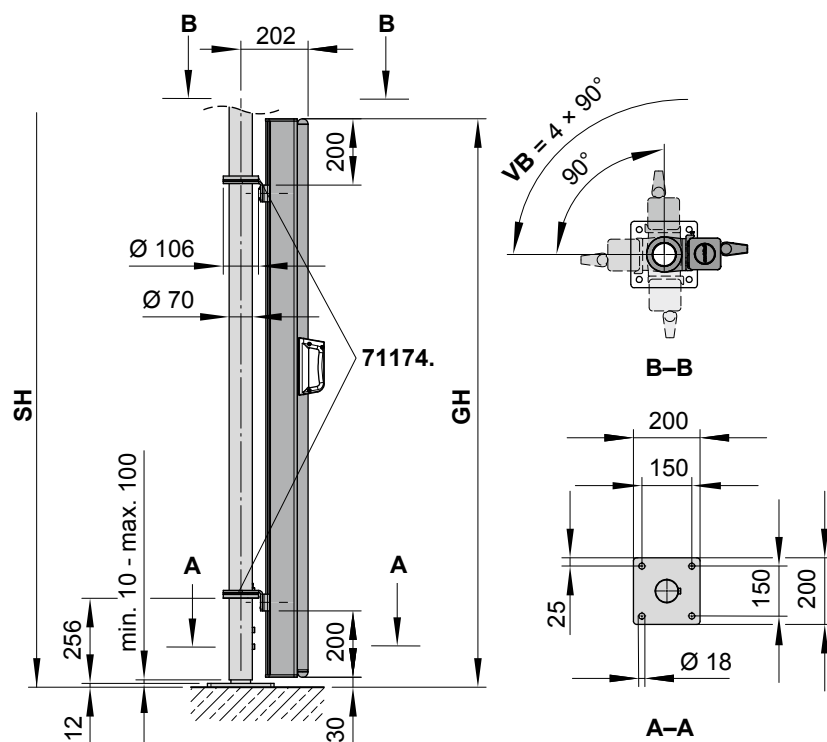


dimensions in mm

Cassette fixture to a post

Fixtures, fittings and accessories

 <p>post with base plate</p> <p>overall height adjustable from approx. 1730 mm to 1830 mm, Ø 70 mm</p> <p>71172.</p>	 <p>universal fixture bracket: for cassette fixture to the post of the markilux pergola, 2 pieces</p> <p>height approx. 80 mm Ø 70 mm</p> <p>71174.</p>	 <p>post 71172 including base plate 71174.; fixture assembly for universal bracket for cassette overall height adjustable</p> <p>overall height adjustable approx. 1730–1830 mm, Ø 70 mm</p> <p>71175.</p>
 <p>fixture assembly for universal fixture bracket 78758. to the post of the markilux syncra 2</p> <p>width 52 mm, for post fixture Ø 140 mm, round post</p> <p>72208.</p>	 <p>fixture assembly for universal fixture bracket 78758. to the post of the markilux syncra</p> <p>width 52 mm, for square post 125 × 125 mm</p> <p>72231.</p>	 <p>face fixture bracket</p> <p>50 mm</p> <p>78758.</p>



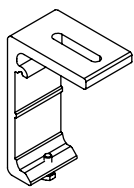
- GH** = order extension = overall height
- SH** = support post height
- VB** = adjustment range (VB) of the fixture brackets with locking lever ($4 \times 90^\circ$)

dimensions in mm

01
02
03
04
05
06
07
08
09
10
11
12
13
14
15
16
17

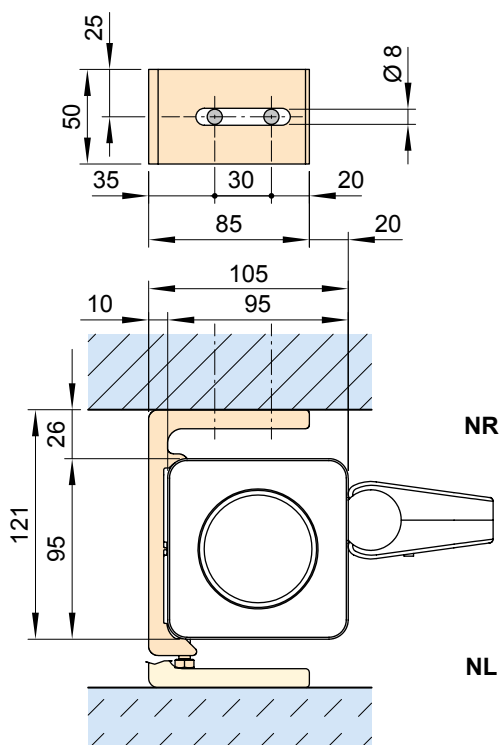
01 **Reveal fixture of the cassette**

02 Fixtures, fittings and accessories



reveal fixture bracket assembly
50 mm

03 **77845.**



16

NR = reveal fixture right
NL = reveal fixture left

dimensions in mm