



Awning System

**markilux syncra fix / syncra uno fix**  
**pergola 110 tracfix / 210 tracfix**

The ideal awning frame system with the minimum of space requirements – stylish sun and wet weather protection for large areas.

01

## Product characteristics

Wind resistance class 3

Beaufort 6 → 10.5–13.4 m/s | 38–48 km/h | 24–30 mph

02

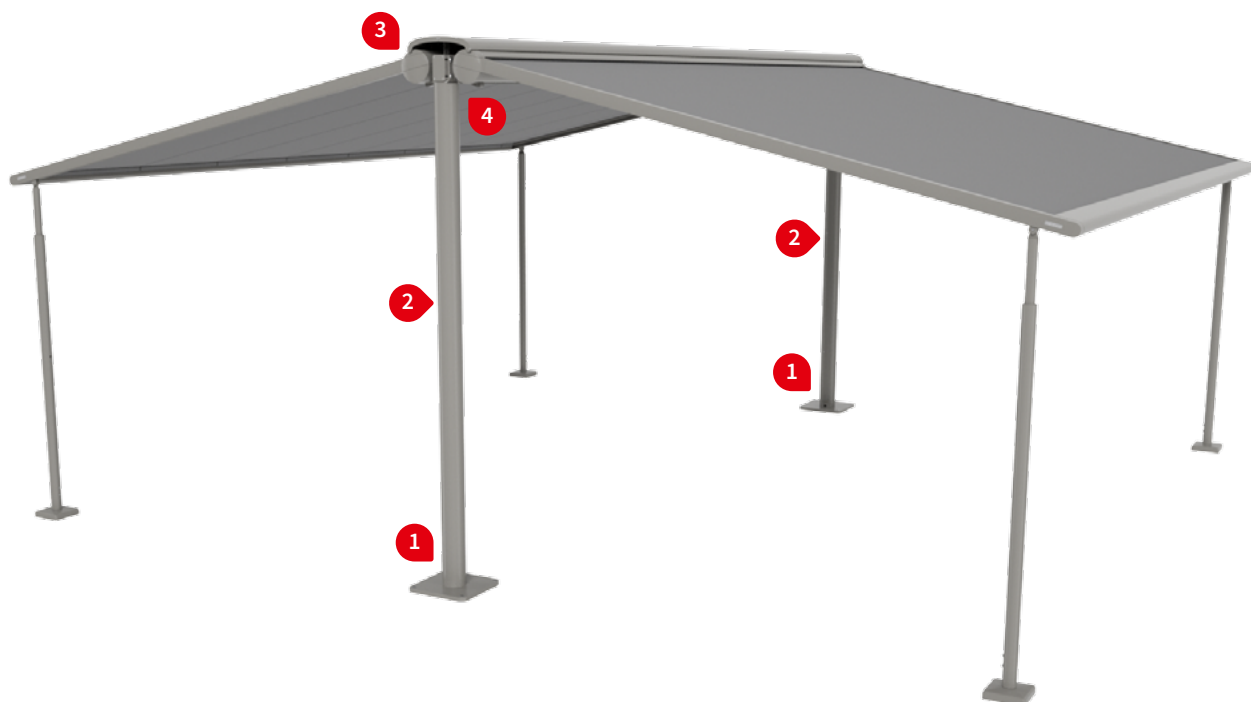
03

04

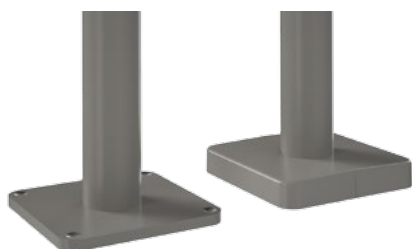
05

06

07



1 symmetrical footplate, standard



1 syncra uno fix with asymmetrical footplate, post close to the wall



2 available with either round or square posts



3 syncra fix, round post



3 syncra uno fix, round post



4 cabling is run through maintenance ducts



continuous bracket fixture slots with plastic fillet 1)



1) optional configuration

## Product characteristics

### Description

- free-standing aluminium frame system for the installation of markilux pergola awnings with an extension of up to 6 m on both sides (fix version) or on one side (uno fix version).

### Special features

- free-standing protection against sun and rain – up to 30 m<sup>2</sup> can be covered on each side with only one field
- the perfect solution especially for commercial, hotel and gastronomy requirements
- a post-free area under the awning
- awnings can be operated independently of one another
- support posts optionally round or square, incl. footplates which are bolted on
- posts with integrated cable ducts and maintenance cover
- aluminium frame system including top cover profile
- simple fixture of the awning frame to concrete foundations
- free-standing installation; can also be fixed to a wall on one side.
- syncra uno fix enables wall-close installation of awnings when the wall is not suitable
- powder coating available in seven markilux standard frame colours or in non-standard colours
- for configuration options, colours and dimensions please consult the pergola 110 / 210 section of the sales manual

### Dimensions

- maximum field width 600 cm
- support post height: standard height 320 cm, maximum height 450 cm
- posts available in intermediate heights
- a coupled system is available up to 3 fields

### Awning profiles

- extruded aluminium, in façade quality, powder coated
- support posts round Ø 140 mm or square 125 × 125 mm
- post base plate square 400 × 400 mm, galvanised steel
- rectangular beam, height 140 mm x depth 80 mm

### Optional accessories

- markilux infrared heater
- markilux spotlight LED
- attractive footplate covers, made of die-cast aluminium, powder-coated
- a wide range of brackets for the installation of folding-arm awnings, vertical and side blinds, conservatory and pergola awnings as well as heating and lighting accessories
- set for fixture of the post to the Krinner screw-in foundation
- universal fixture bracket assemblies for display boards, TV screens etc.
- plastic fillet available (in white RAL 9016 or anthracite ≈ RAL 7016 for the bracket slots in the cross-beam)

### markilux planning service

In the case of larger construction projects, markilux can offer comprehensive planning support on request. Based on the dimensions and photographs supplied, on request we are able to offer the following services:

- a realistic photographic representation of the shading system in colour, optionally also as a 3D visualisation
- suggestions for special solutions
- technical drawings depicting possible solutions; they can also be used to accompany building permit submissions
- further consultation services up to final issue of order

A realistic photographic collage and a detailed technical presentation improve the quality of on-site consultation and the chance of success!

### Planning permission

**N.B!** Please note that shading systems may be subject to compulsory planning permission regulations depending on the region!

01 **Frame colours**

markilux frame colours without surcharge

02

traffic white RAL 9016



metallic aluminium RAL 9006



grey brown, similar to RAL 8019



03

04

05

06

07

off-white textured finish, 5233 <sup>1)</sup>stone grey metallic, 5215 <sup>1)</sup>anthracite metallic, 5204 <sup>1)</sup>Havana brown textured finish, 5229 <sup>1)</sup>**Non-standard powder-coated finish**

Bespoke frame colours at a surcharge – matt, metallic and pearl finishes as well as other colour ranges (DB, Tiger etc.) on request. All frame colours are available at a surcharge with enhanced corrosion protection.

**1)** textured finish

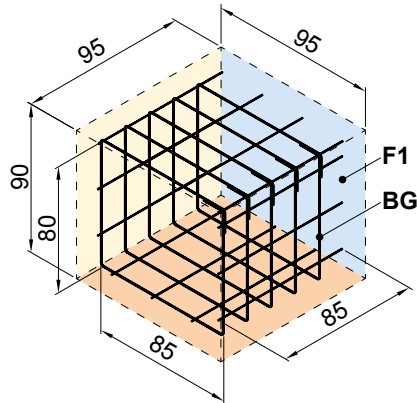
Colours may differ slightly from those depicted in both hue and finish.

## Concrete foundations

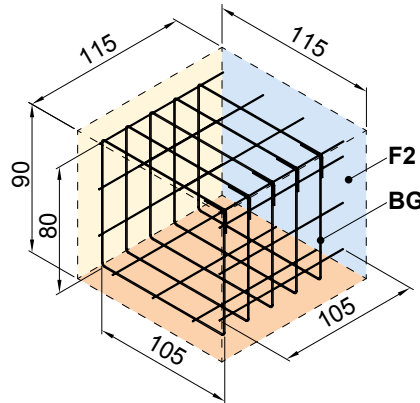
To be supplied on site:

Concrete foundations with a compressive strength complying with C25/30 (previously B25) with a reinforcement cage made of rebar matting Q188 for the outermost posts version F1 and the central posts version F2.

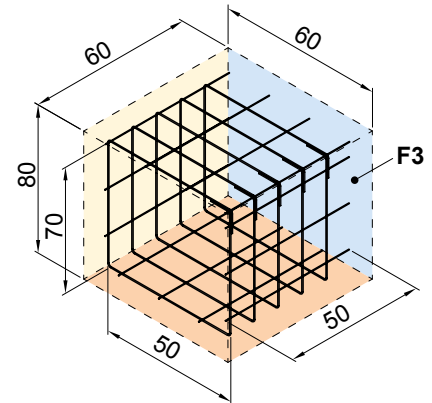
**F1**



**F2**



**F3**



**The footplates are to be fitted to the concrete footings F1 and F2**

using Fischer marine-grade stainless steel anchor bolts FAZ II 16/50 and washers certified to DIN 9021 (or equivalent)

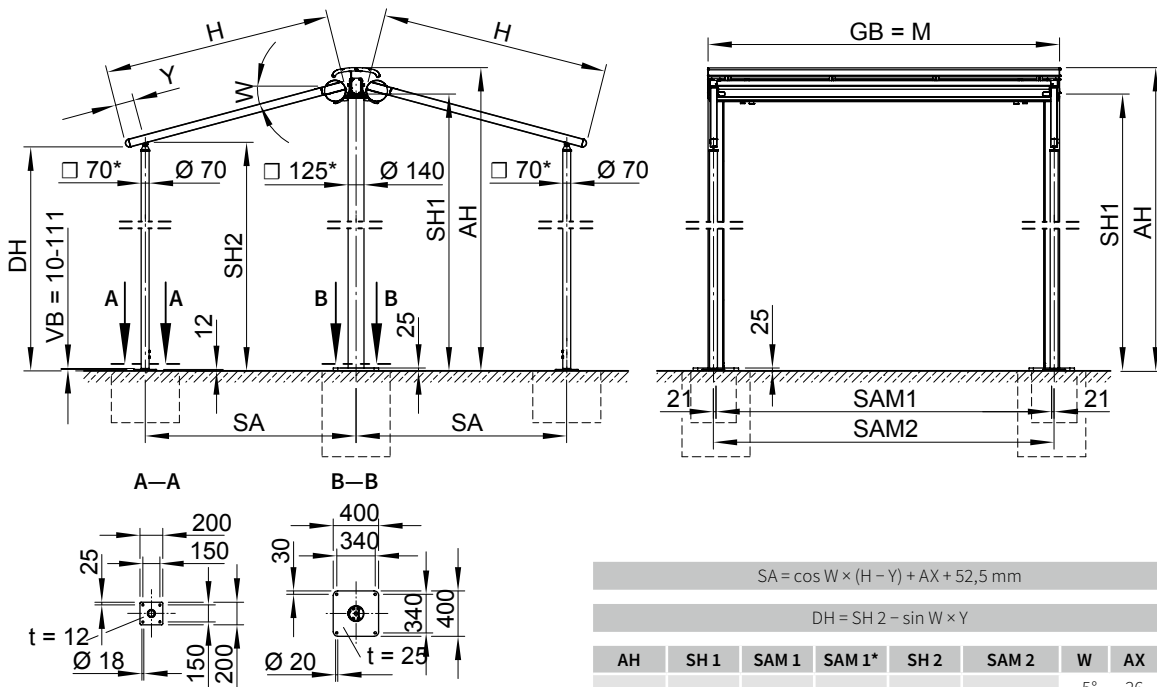
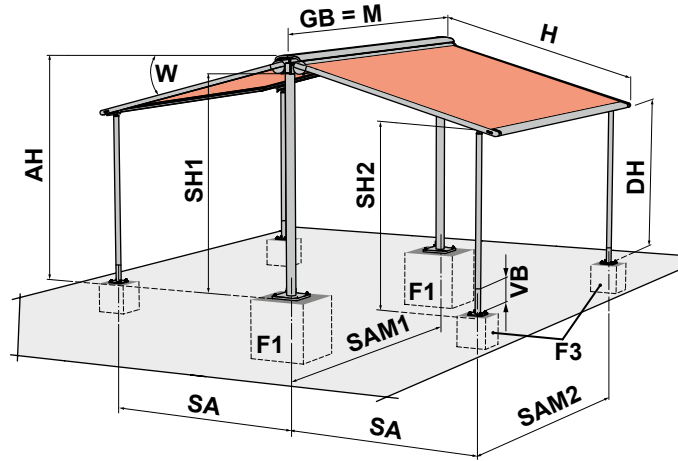
**The footplates are to be fitted to the concrete footings F3**

using Fischer marine-grade stainless steel anchor bolts FAZ 10/30 and washers certified to DIN 9021 (or equivalent)

dimensions in cm

01 Overview of dimensions

02 syncra (1 field)



$$SA = \cos W \times (H - Y) + AX + 52,5 \text{ mm}$$

$$DH = SH2 - \sin W \times Y$$

AH	SH 1	SAM 1	SAM 1*	SH 2	SAM 2	W	AX
						5°	26
						10°	32
3470	3200	M - 140	M - 125	2500	SAM 1 + 42	15°	38
						20°	44
						25°	49

For dimensions, further technical details and configuration options please consult the pergola 110 / 210 section of the sales manual.

- \* = dimensions for a square post
- AH = unit height
- AX = calculation value for SA
- BG = armour matting basket
- DH = headroom
- F1/F3 = concrete foundation – please view section “Concrete foundations”
- GB = overall width of the unit = awning width = order width
- H = extension
- M = order dimension = awning width
- SA = separation of the support posts of the markilux pergola to the support posts of the markilux syncra

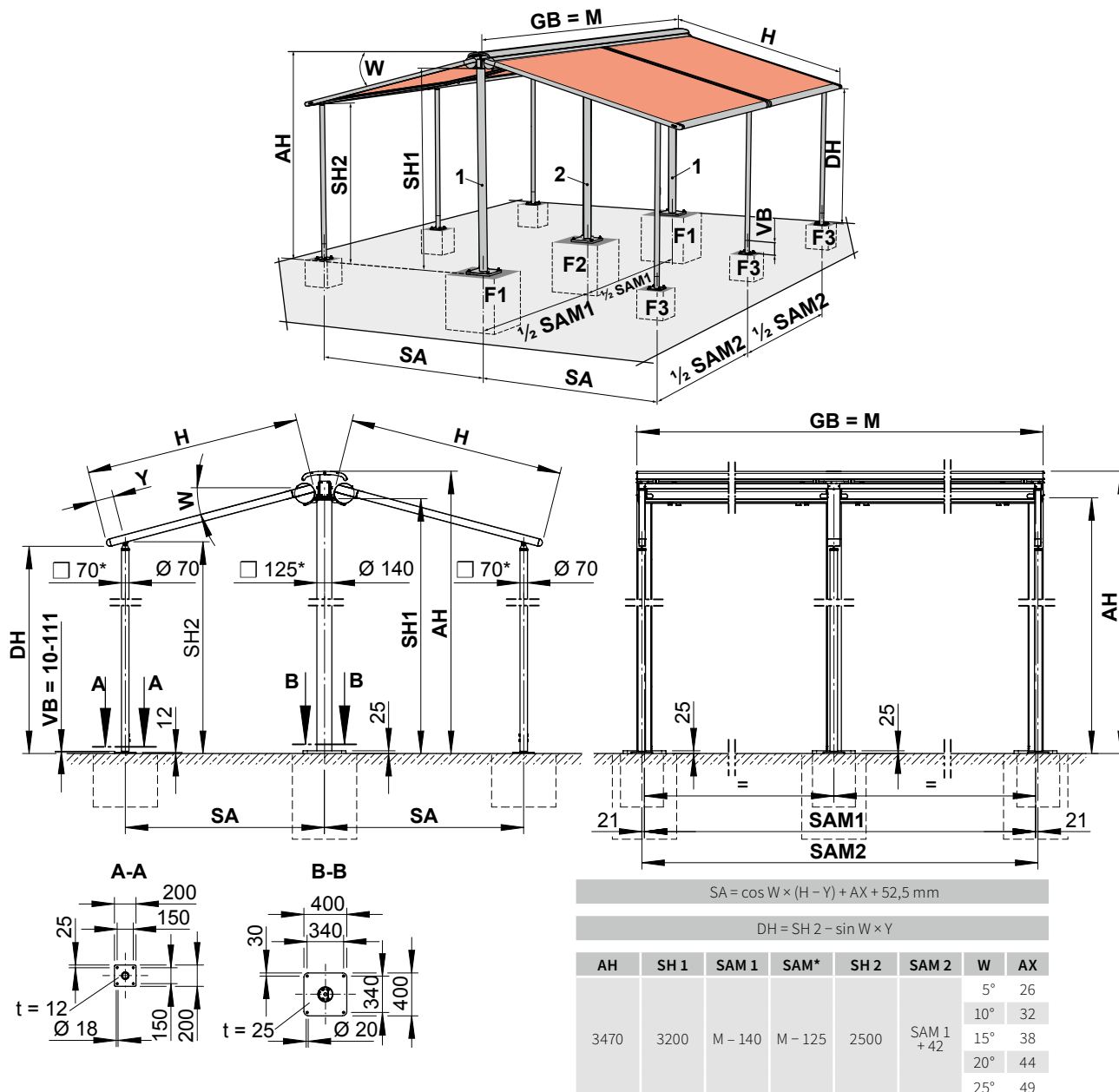
- SAM 1 = post separation, centre to centre, of the markilux syncra
- SAM 2 = post separation, centre to centre, of the markilux pergola
- SH 1 = markilux syncra post height
- SH 2 = post height of the markilux pergola
- t = thickness of the base plate
- VB = height adjustment min. 10 mm up to max. 110 mm
- W = awning pitch 5° to 25°, factory set at 15°
- Y = distance front posts must be moved back min. 100 mm up to max. 1000 mm

dimensions in mm

# Overview of dimensions

syncra fix, 2 Felder coupled (max. 3 Felder)

01  
02  
03  
04  
05  
06  
07



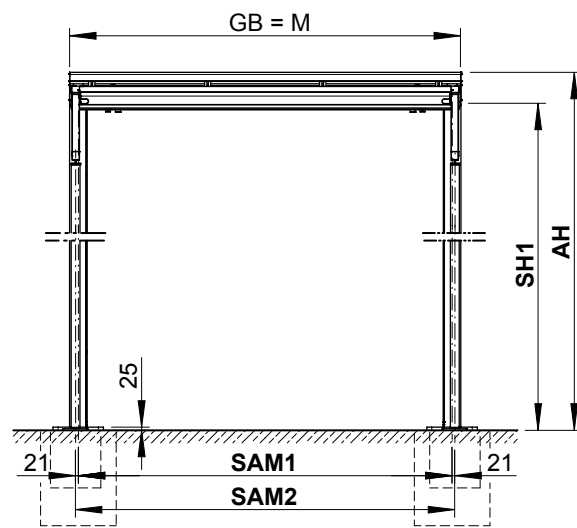
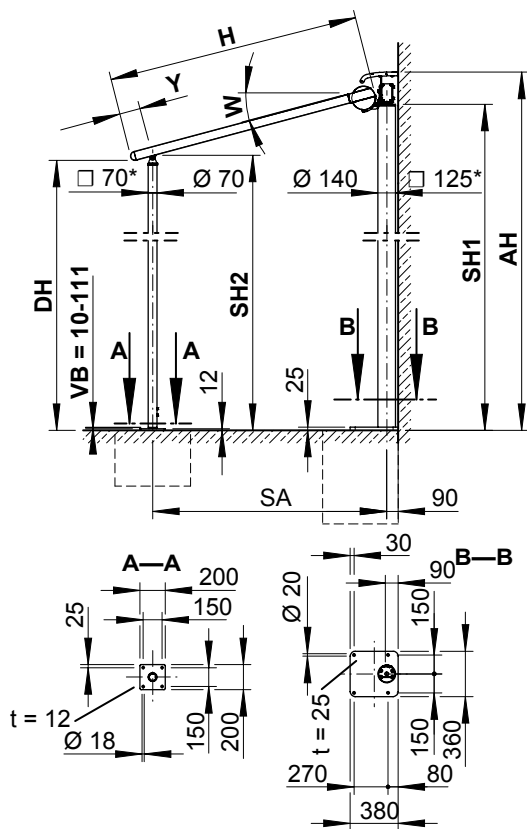
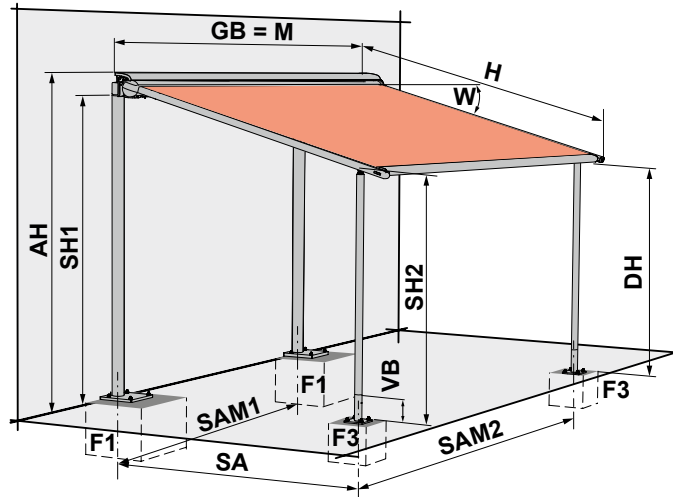
For dimensions, further technical details and configuration options please consult the pergola 110 / 210 section of the sales manual.

- \* = dimensions for a square post
- 1 = outermost post
- 2 = central post (not required for widths up to 700 cm)
- AH = unit height
- AX = calculation value for SA
- BG = armour matting basket
- DH = headroom
- F1/F2/F3 = concrete foundation – please view section “Concrete foundations”
- GB = order dimension = unit width = order width
- H = extension
- M = order dimension = awning width
- SA = distance post markilux pergola – post markilux syncra
- SAM 1 = post separation, centre to centre, of the markilux syncra
- SAM 2 = post separation, centre to centre, of the markilux pergola
- SH 1 = markilux syncra post height
- SH 2 = post height of the markilux pergola
- t = thickness of the base plate
- VB = height adjustment min. 10 mm up to max. 110 mm
- W = awning pitch 5° to 25°, factory set at 15°
- Y = distance front posts must be moved back min. 100 mm up to max. 1000 mm dimensions in mm

01 Overview of dimensions

02 syncra uno fix, 1 field

03  
04  
05  
06  
07



$$SA = \cos W \times (H - Y) + AX + 52,5 \text{ mm}$$

$$DH = SH 2 - \sin W \times Y$$

AH	SH 1	SAM 1	SAM 1*	SH 2	SAM 2	W	AX
						5°	26
						10°	32
3470	3200	M - 140	M - 125	2500	SAM 1 + 42	15°	38
						20°	44
						25°	49

For dimensions, further technical details and configuration options please consult the pergola 110 / 210 section of the sales manual.

\* = dimensions for a square post

AH = unit height

AX = calculation value for SA

BG = armour matting basket

DH = headroom

F1/F3 = concrete foundation – please view section “Concrete foundations”

GB = overall width of the unit = awning width = order width

H = extension

M = order dimension = awning width

SA = separation of the support posts of the markilux pergola to the support posts of the markilux syncra

SAM 1 = post separation, centre to centre, of the markilux syncra

SAM 2 = post separation, centre to centre, of the markilux pergola

SH 1 = markilux syncra post height

SH 2 = post height of the markilux pergola

t = thickness of the base plate

VB = height adjustment min. 10 mm up to max. 110 mm

W = awning pitch 5° to 25°, factory set at 15°

Y = distance front posts must be moved back min. 100 mm up to max. 1000 mm

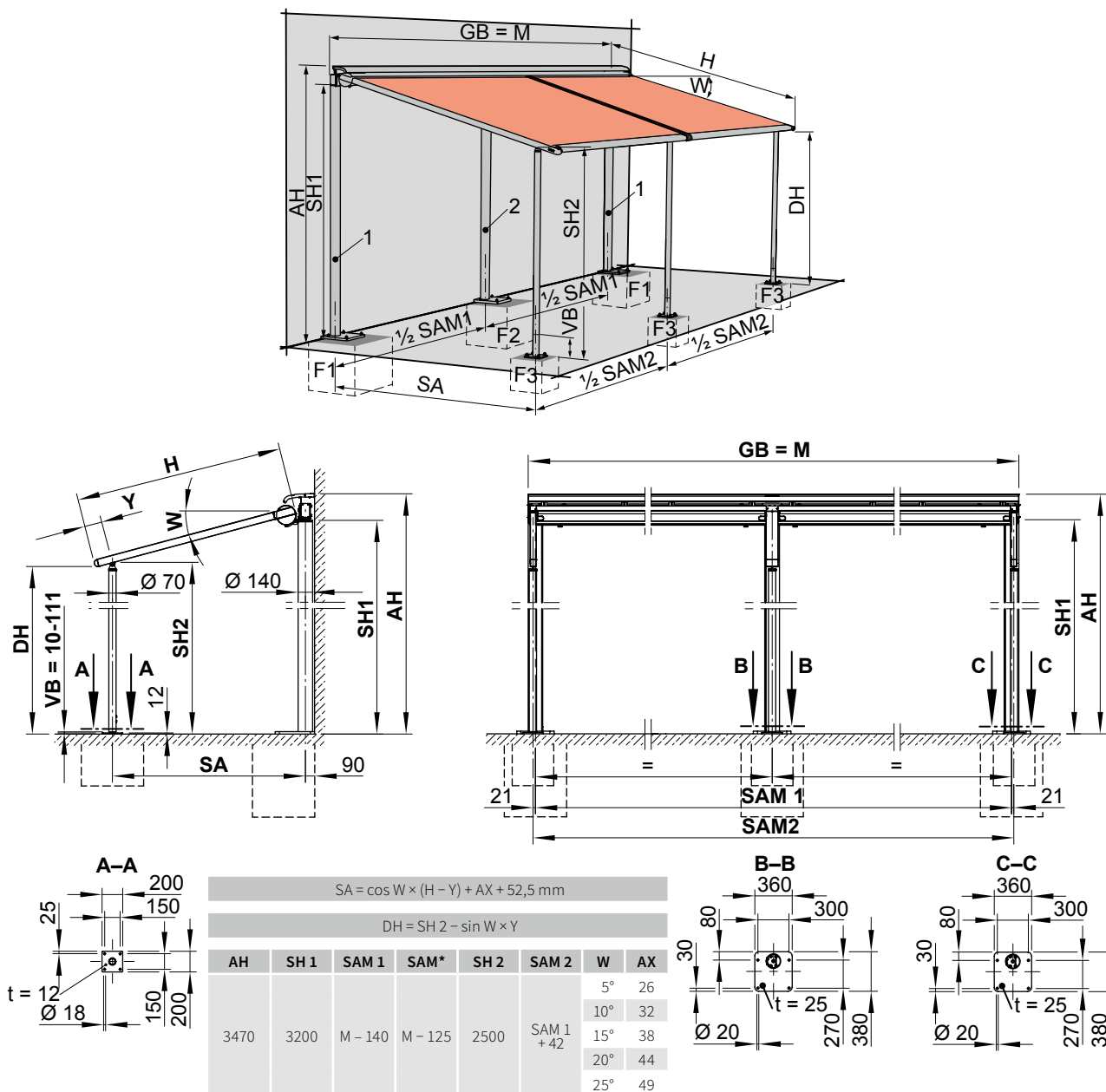
dimensions in mm



# Overview of dimensions

syncra uno fix, 2 fields coupled

01  
02  
03  
04  
05  
06  
07



For dimensions, further technical details and configuration options please consult the pergola 110 / 210 section of the sales manual.

- \* = dimensions for a square post
  - 1 = outermost post
  - 2 = central post (not required for widths up to 700 cm)
  - AH = unit height
  - AX = calculation value for SA
  - BG = armour matting basket
  - DH = headroom
  - F1/F2/F3 = concrete foundation – please view section “Concrete foundations”
  - GB = order dimension = unit width = order width
  - H = extension
  - M = order dimension = awning width
  - SA = distance post markilux pergola – post markilux syncra
  - SAM1 = post separation, centre to centre, of the markilux syncra
  - SAM2 = post separation, centre to centre, of the markilux pergola
  - SH1 = markilux syncra post height
  - SH2 = post height of the markilux pergola
  - t = thickness of the base plate
  - VB = height adjustment min. 10 mm up to max. 110 mm
  - W = awning pitch 5° to 25°, factory set at 15°
  - Y = distance front posts must be moved back min. 100 mm up to max. 1000 mm
- dimensions in mm

01

**02**

03

04

05

06

07