



Awning System

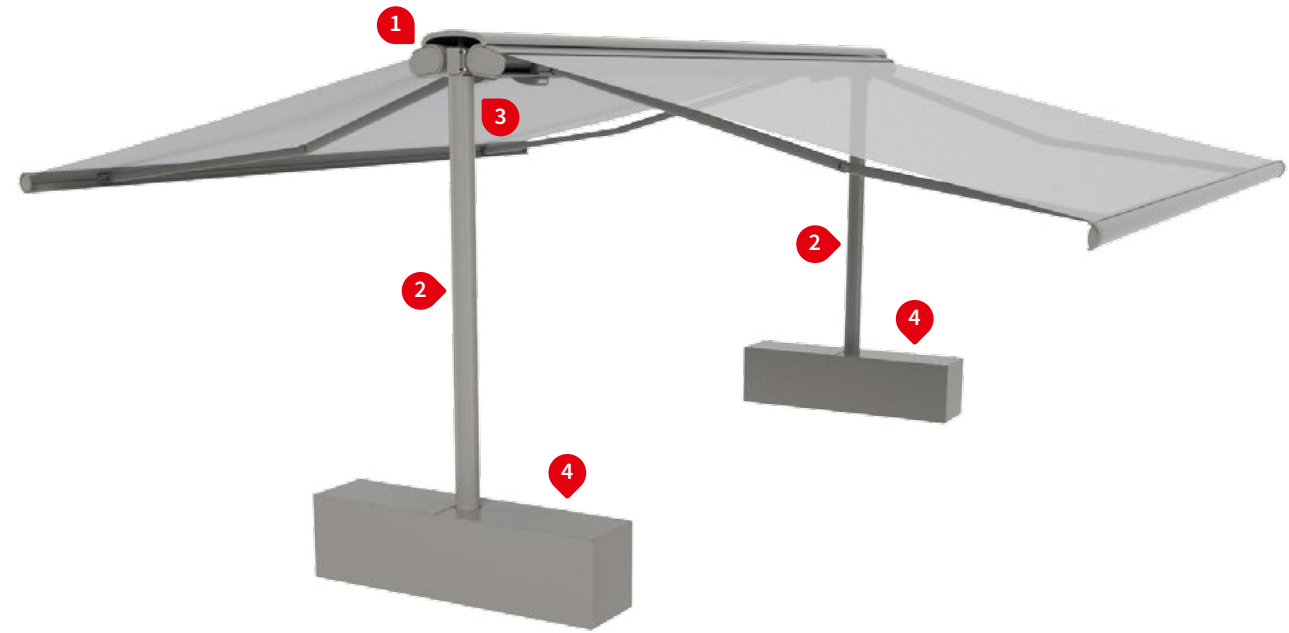
markilux syncra flex / syncra uno flex

The ideal awning frame system with the minimum of space requirements – stylish sun and wet weather protection for large areas.

01
02
03
04
05
06
07

Product characteristics

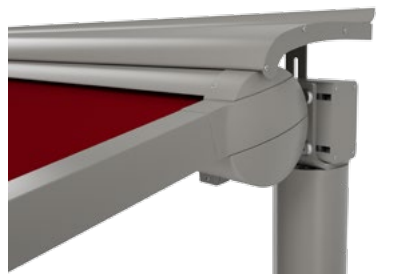
Wind resistance class 2
Beaufort 5 -> 7.5-10.4 m/s / 28-37 km/h / 17-23 mph



1 combination example with the markilux 5010, round post



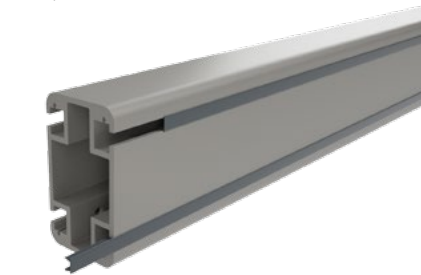
3 combination example with the markilux pergola, round post



2 available with either round or square posts



continuous bracket fixture slots with plastic fillet 1)



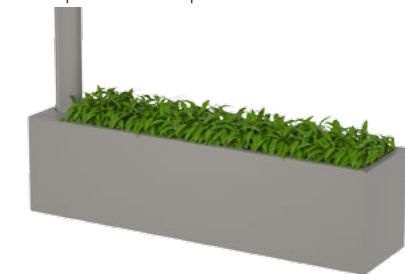
3 cabling is run through maintenance ducts



4 stabilisation box syncra flex, open at the top



stabilisation box syncra uno flex, open at the top



1) optional configuration

Product characteristics

Description

- free-standing aluminium frame system for the installation of markilux awnings on both sides (flex version) or on one side (uno flex version).

Special features

- free-standing protection against sun and rain – water drainage guaranteed if the awnings are set at a min. pitch of 14°
- the perfect solution especially for commercial, hotel and gastronomy requirements or listed buildings
- a post-free area under the awning
- awnings can be operated independently of one another
- support posts optionally round or square, incl. stabilisation boxes for installation in any location
- posts with integrated cable ducts and maintenance cover
- aluminium frame system including top cover profile
- syncra uno fix enables installation of awnings close to a wall when direct fixture to the wall is not advisable
- powder coating available in seven markilux standard frame colours or in non-standard colours
- for configuration options, colours and dimensions please consult the chapter of the corresponding awning model in the sales manual

Dimensions

- maximum field width 700 cm
- standard support post height 320 cm, which is also the maximum height
- posts available in intermediate heights

Awning profiles

- extruded aluminium, in façade quality, powder coated
- support posts round Ø 140 mm or square 125 × 125 mm
- stabilisation boxes made of sheet aluminium length 2000 × height 450 × width 500 mm (a ballast weight of at least 625 kg in the form of gravel, sand or pebbles is required)
- rectangular cross-beam, height 140 mm × width 80 mm

Optional accessories

- markilux infrared heater
- markilux spotlight LED
- top covers for stabilization boxes made of sheet aluminium, powder coated or wood look (in WPC, graphite-grey, highly colour fast)
- wide range of brackets for the installation of folding-arm and pergola awnings as well as heating and lighting accessories
- universal fixture bracket assemblies for display boards, TV screens etc
- plastic fillet available (in white RAL 9016 or anthracite ≈ RAL 7016 for the bracket slots in the cross-beam)

markilux planning service

in the case of larger construction projects, markilux can offer comprehensive planning support on request. Based on the dimensions and photographs supplied, on request we are able to offer the following services:

- a realistic photographic representation of the shading system in colour, optionally also as a 3D visualisation
- suggestions for special solutions
- technical drawings depicting possible solutions; they can also be used to accompany building permit submissions
- further consultation services up to final issue of order

a realistic photographic collage and a detailed technical presentation improve the quality of on-site consultation and the chance of success!

Planning permission

N.B! Please note that shading systems may be subject to compulsory planning permission regulations depending on the region!

01 **Frame colours**

02 markilux frame colours without surcharge

03 traffic white RAL 9016



metallic aluminium RAL 9006



grey brown, similar to RAL 8019

04 off-white textured finish, 5233 ¹⁾stone grey metallic, 5215 ¹⁾anthracite metallic, 5204 ¹⁾Havana brown textured finish, 5229 ¹⁾**Non-standard powder-coated finish**

Bespoke frame colours at a surcharge – matt, metallic and pearl finishes as well as other colour ranges (DB, Tiger etc.) on request. All frame colours are available at a surcharge with enhanced corrosion protection.

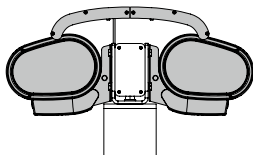
1) textured finish

Colours may differ slightly from those depicted in both hue and finish.

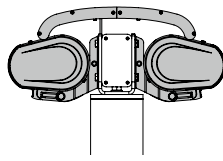
Overview of the awning combinations available

syncra flex with two folding-arm awnings

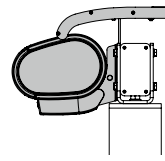
markilux syncra uno fix with folding arm awning



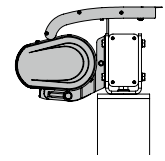
markilux 6000



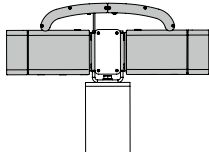
markilux 5010



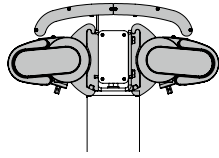
markilux 6000



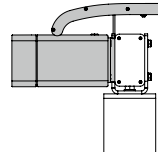
markilux 5010



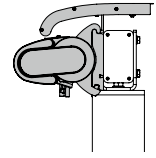
markilux 970



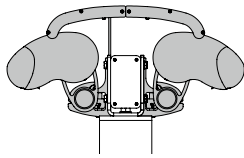
markilux 990



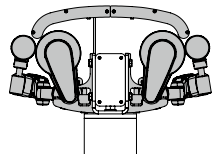
markilux 970



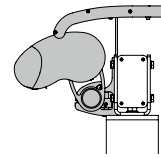
markilux 990



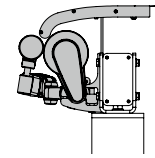
markilux 1650 / 1600 /
1600 stretch



markilux 1710 / 1710
stretch



markilux 1650 / 1600 /
1600 stretch



markilux 1710 / 1710
stretch

01
02
03
04
05
06
07

Overview of the stabilisation box options

Overview markilux syncra flex and syncra uno flex



Fill each of the stabilisation boxes on site with at least 625 kg of sand, gravel or pebbles.

Various versions of stabilisation boxes using the syncra uno flex as an example

box open to the top (standard)



with wooden cover (optional),
in WPC graphite-grey



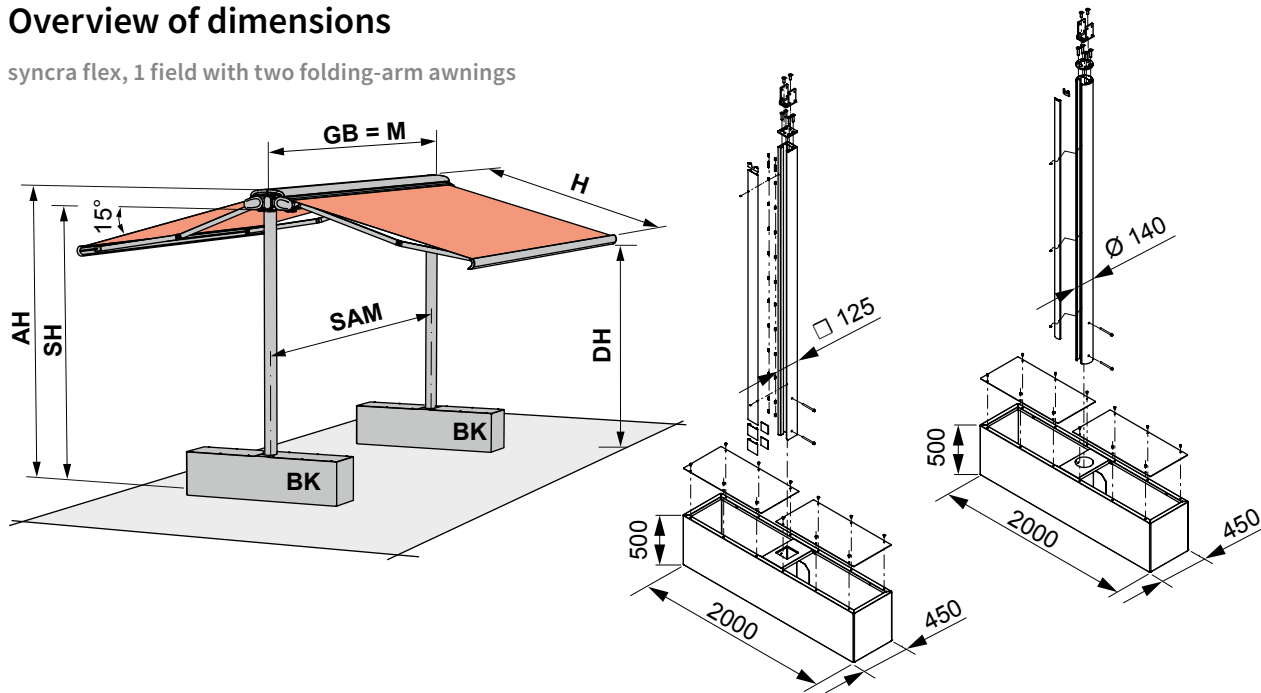
with aluminium cover (optional)



01
02
03
04
05
06
07

Overview of dimensions

syncra flex, 1 field with two folding-arm awnings

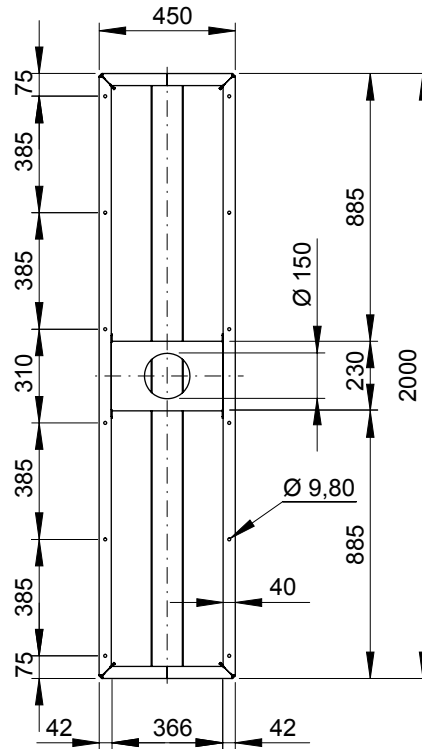
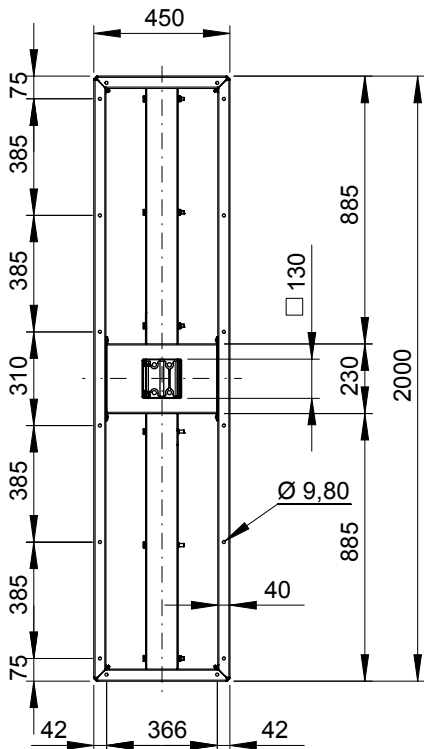


Fill each of the stabilisation boxes on site with at least 625 kg of sand, gravel or pebbles.

	AH	SAM	SAM*	GB	DH				
markilux 6000	3400				2930	2790	2660	2520	2390
markilux 5010	3420	M - 140	M - 125		2920	2780	2650	2510	2380
markilux 970	3430			M	2630	2530	2430	-	-
markilux 990	3420	M - 440	M - 425		2920	2780	2650		
markilux 1710 / 1710 stretch					2970	2830	2700	2560	2430
markilux 1600 / 1600 stretch / 1650	3480	M - 140	M - 125						
					2000	2500	3000	3500	4000
					H				

stabilisation box for square posts

stabilisation box for round posts



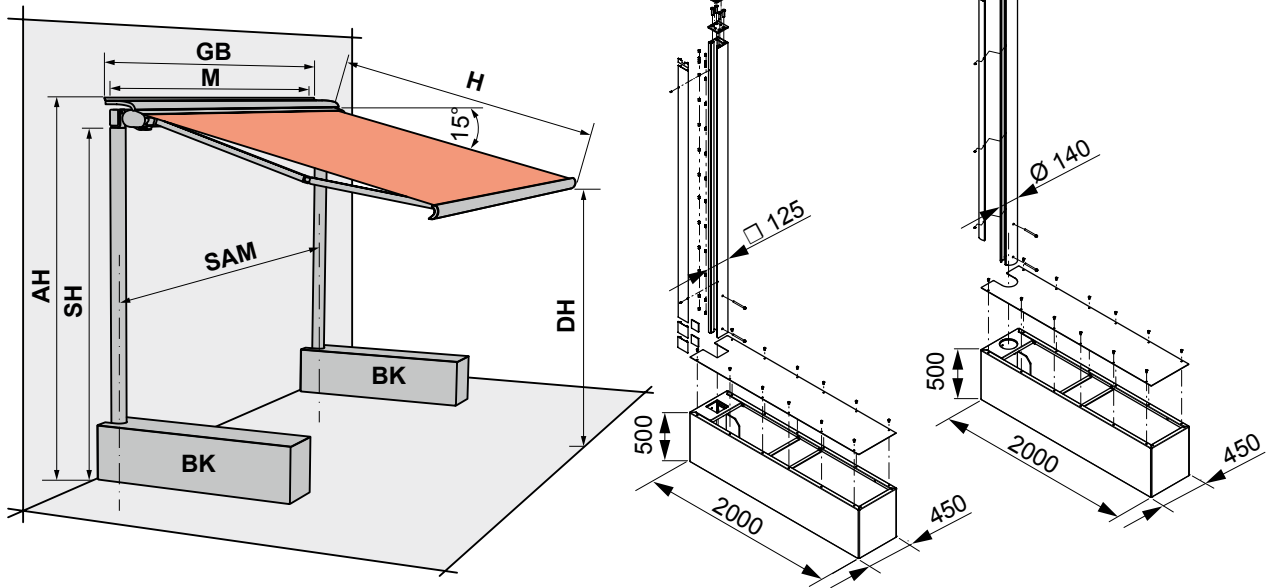
- * = dimensions for a square post
- AH = unit height
- BK = stabilisation box
- DH = headroom
- GB = overall width of the syncra unit (depends on the awning model)

- H = projection (depends on the awning model)
- M = order dimension = awning width
- SAM = post separation, centre to centre (depends on the awning model)
- SH = post height = 3200 mm

dimensions in mm

Overview of dimensions

syncra uno flex, 1 field with a folding-arm awning

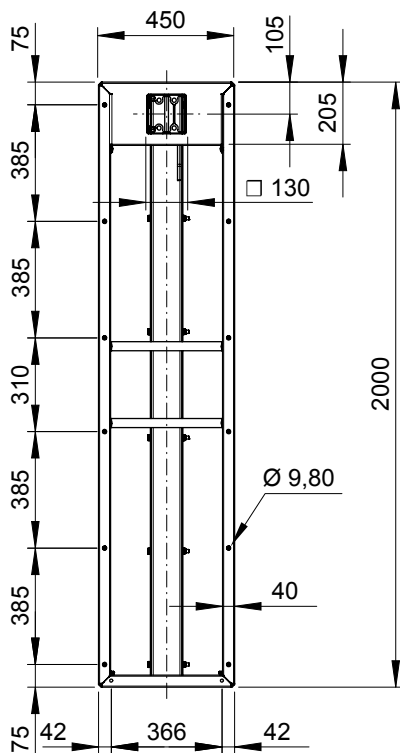


01
02
03
04
05
06
07

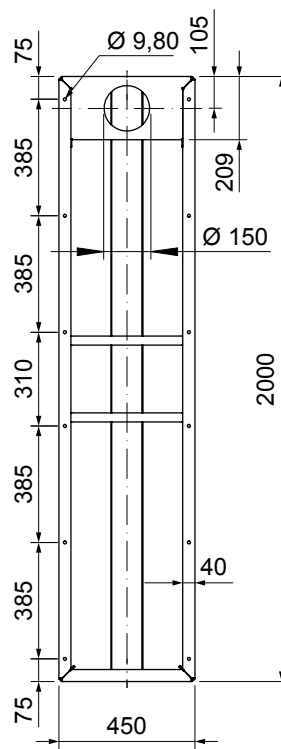
Fill each of the stabilisation boxes on site with at least 625 kg of sand, gravel or pebbles.

	AH	SAM	SAM*	GB	DH				
markilux 6000	3400				2930	2790	2660	2520	2390
markilux 5010	3420	M - 140	M - 125		2920	2780	2650	2510	2380
markilux 970	3430			M	2630	2530	2430	-	-
markilux 990	3420	M - 440	M - 425		2920	2780	2650		
markilux 1710 / 1710 stretch					2970	2830	2700	2560	2430
markilux 1600 / 1600 stretch / 1650	3480	M - 140	M - 125						
					2000	2500	3000	3500	4000
					H				

stabilisation box for square posts



stabilisation box for round posts



- * = dimensions for a square post
- AH = unit height
- BK = stabilisation box
- DH = headroom
- GB = overall width of the syncra unit (depends on the awning model)

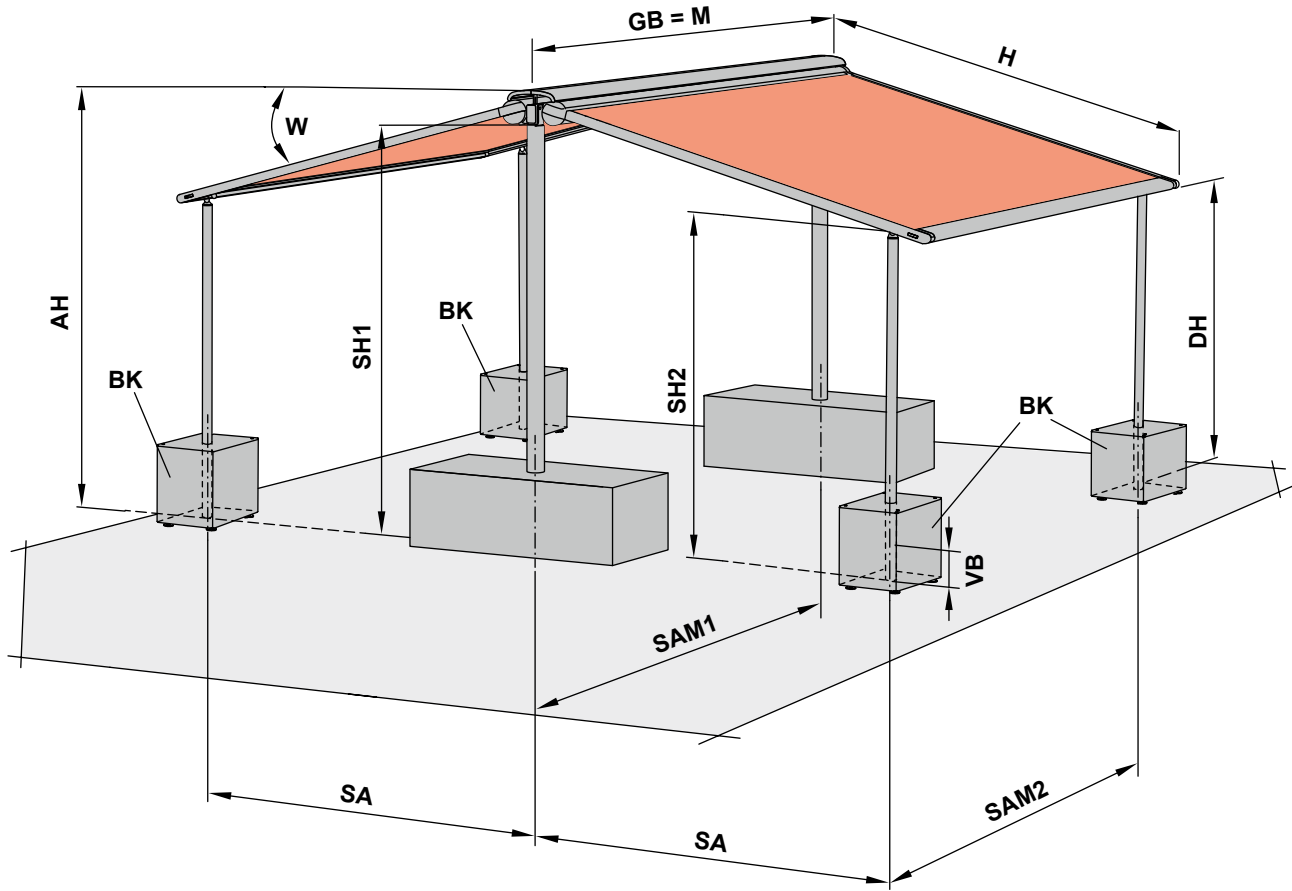
- H = projection (depends on the awning model)
- M = order dimension = awning width
- SAM = post separation, centre to centre (depends on the awning model)
- SH = post height = 3200 mm

dimensions in mm

01
02
03
04
05
06
07

Overview of dimensions

syncra flex, 1 field with two pergola awnings



To be supplied on site:

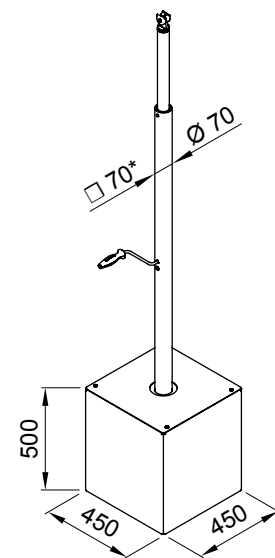
625 kg of ballast to fill each stabilisation box of the markilux syncra

100 kg of ballast to fill each stabilisation box of the markilux pergola

Stabilisation box with telescopic support post for markilux pergola 210 tracfix

	AH	SAM	SAM *	DH				
markilux 6000	3400	M - 140	M - 125	2930	2790	2660	2520	2390
markilux 5010	3420	M - 140	M - 125	2920	2780	2650	2510	2380
markilux 970	3430	M - 440	M - 425	2630	2530	2430	—	—
markilux 990	3420	M - 440	M - 425	2920	2780	2650	—	—
markilux 1600 / 1600 stretch / 1650	3480	M - 140	M - 125	2970	2830	2700	2560	2430
markilux 1710 / 1710 stretch								2430
				2000	2500	3000	3500	4000
				H				

- AH = unit height
- BK = stabilisation box
- DH = headroom
- GB = overall width of the syncra unit (depends on the awning model)
- H = projection (depends on the awning model)
- M = order dimension = awning width
- SA = distance post pergola - post syncra
- SH 1 = markilux syncra post height
- SH 2 = post height of the markilux pergola
- SAM 1 = post separation, centre to centre, of the markilux syncra
- SAM 2 = post separation, centre to centre, of the markilux pergola
- VB = height adjustment min. 10 mm up to max. 110 mm
- W = awning pitch 5° to 25°, factory set at 15°

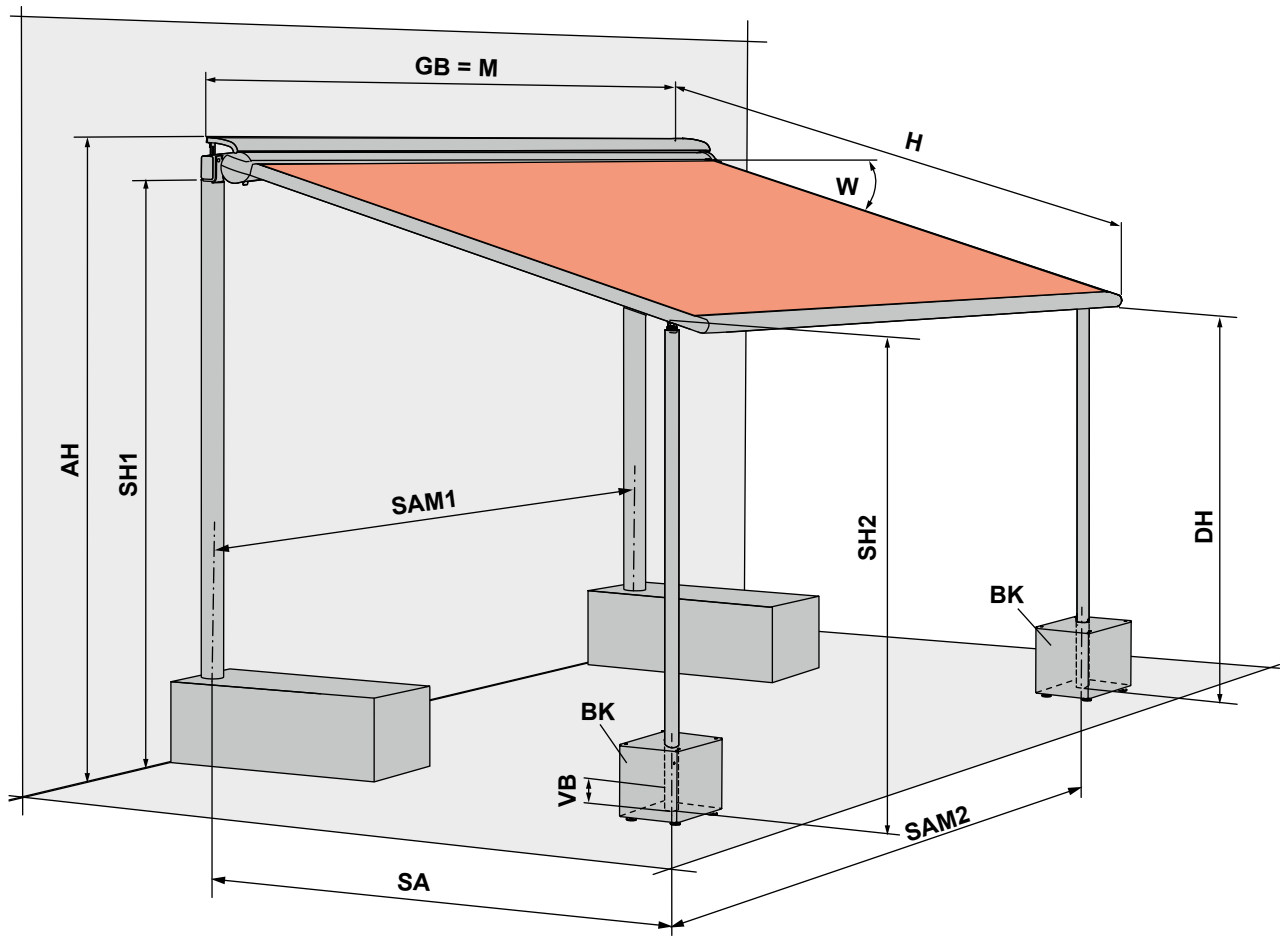


dimensions in mm

Overview of dimensions

syncra flex, 1 field with two pergola awnings

01
02
03
04
05
06
07



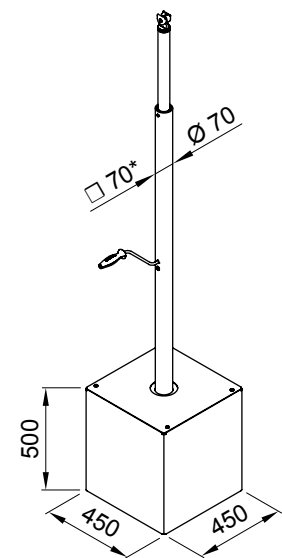
To be supplied on site:

- 625 kg of ballast to fill each stabilisation box of the markilux syncra
- 100 kg of ballast to fill each stabilisation box of the markilux pergola

Stabilisation box with telescopic support post for markilux pergola 210 tracfix

	AH	SAM	SAM *	DH				
markilux 6000	3400			2930	2790	2660	2520	2390
markilux 5010	3420	M - 140	M - 125	2920	2780	2650	2510	2380
markilux 970	3430			2630	2530	2430	—	—
markilux 990	3420	M - 440	M - 425	2920	2780	2650	—	—
markilux 1600 / 1600 stretch / 1650	3480	M - 140	M - 125	2970	2830	2700	2560	2430
markilux 1710 / 1710 stretch				2970	2830	2700	2560	2430
				2000	2500	3000	3500	4000
				H				

- AH** = unit height
- BK** = stabilisation box
- DH** = headroom
- GB** = overall width of the syncra unit (depends on the awning model)
- H** = projection (depends on the awning model)
- M** = order dimension = awning width
- SA** = distance post pergola – post syncra
- SH 1** = markilux syncra post height
- SH 2** = post height of the markilux pergola
- SAM 1** = post separation, centre to centre, of the markilux syncra
- SAM 2** = post separation, centre to centre, of the markilux pergola
- VB** = height adjustment min. 10 mm up to max. 110 mm
- W** = awning pitch 5° to 25°, factory set at 15°



dimensions in mm

01

02

03

04

05

06

07